

# THREE VALVE MANIFOLD

## SINGLE FLANGED - MODEL 305 / 306

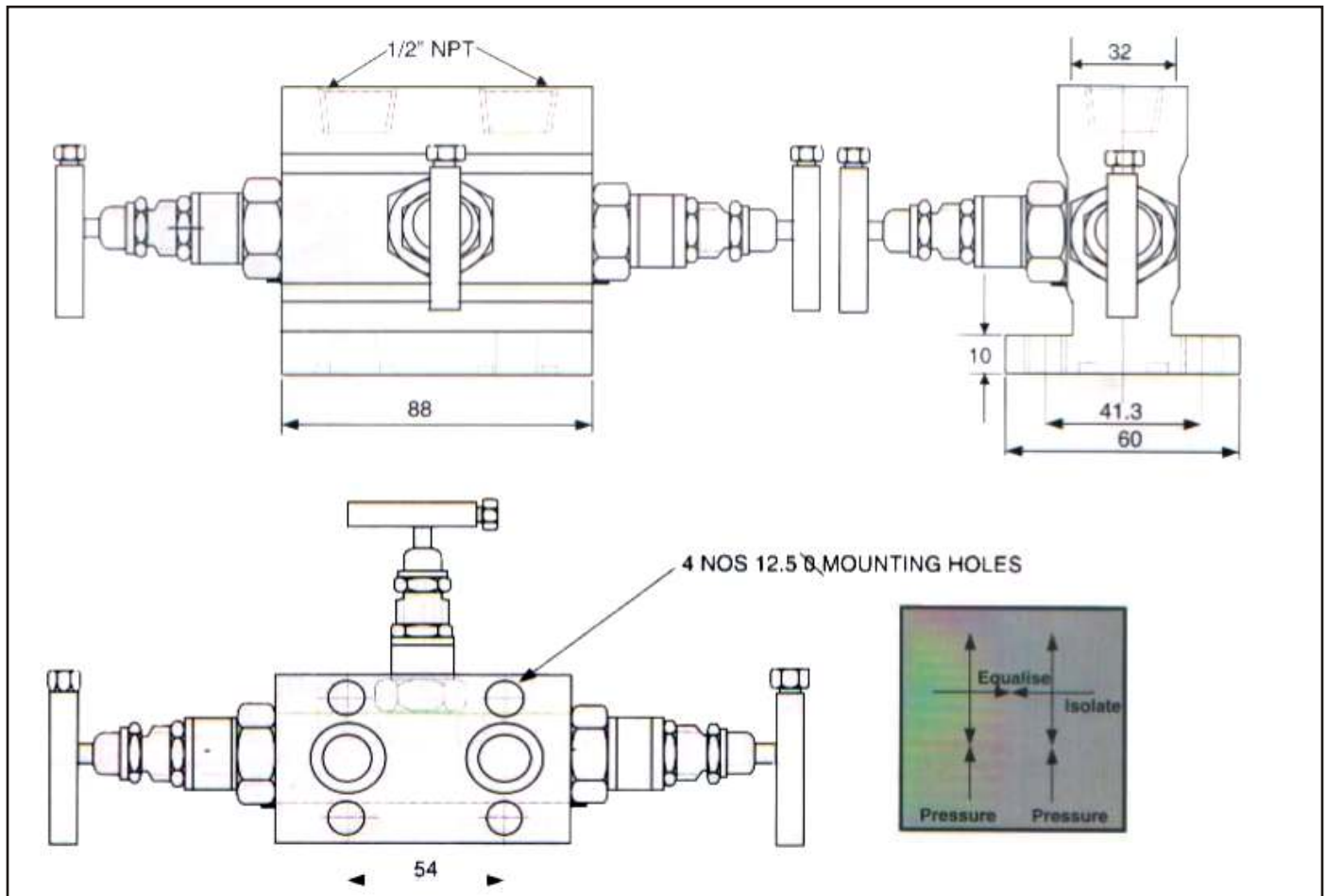
Model 305 single-flanged three valve manifolds allows the pressure transmitter to be directly mounted, eliminating the need for additional piping, valves and fittings.

### FEATURES

- Pressures up to 6,000 psi.
- Standard 2.13" center to center inlet / outlet.
- 3/16" bore.
- Wide choice of materials and options.



*Model 306 has the addition of two drain / vent plugs.*



## LAMBDA SQUARE

[www.lambdasquare.com](http://www.lambdasquare.com) · email: [info@lambdasquare.com](mailto:info@lambdasquare.com)

Differential Pressure Flow Measurement Equipment

**Over 40 Years of Flow Metering Experience — Consulting Services Available.**

**1-800-587-5423** · Tel: (631) 587-1000 · Fax: (631) 587-1011

Lambda Square, Inc · 71 Deer Park Avenue · Babylon, NY 11702-2801 USA